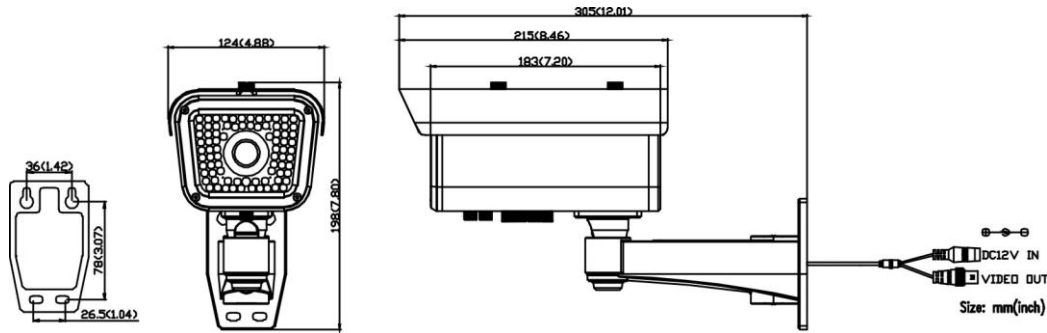


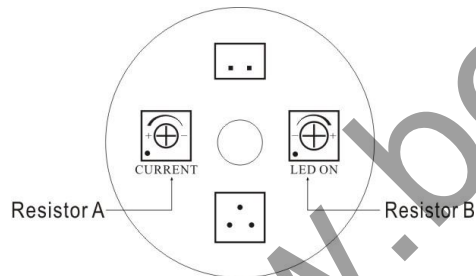
# Number Plate Capture Camera

## AW-CAR40VF



### ● Caution for Installation

1. Resistor A: If you want to change the intensity of the IR light, please open the cover at the bottom of the camera(As showed in the following picture), you can adjust the IR light intensity.
2. Resistor B: If you want to change the working time of IR Led, please open the cover at the bottom of the camera(As showed in the following picture), you can adjust the IR LED working time.” – “refers to the IR LED will start working under the darker situation. “+” refers to the IR LED will start working under the brighter situation.



### ● Packing

1. Camera X1
2. User Manual X1
3. Screw X4
4. Plastic-Conical-Anchor X4

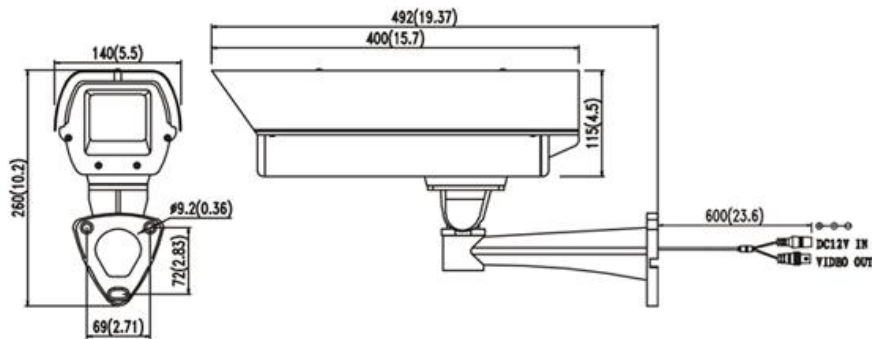
5. Mounting drawing paper X1
6. Hexagonal Wrench X1

### ● Specification

<b>IP Rating</b>	IP66
<b>Type</b>	Monochrome
<b>Signal System</b>	NTSC/PAL
<b>Pick Up Device</b>	1/3" 760H CCD
<b>Picture Elements</b>	NTSC:811H×508V; PAL:795H×596V
<b>Resolution</b>	550TVL
<b>Min Illumination</b>	0Lux (80 Pieces IR LED ON)
<b>Vertical Frequency</b>	NTSC:60Hz; PAL:50Hz
<b>Horizontal Frequency</b>	NTSC:15.734KHz; PAL:15.625KHz
<b>Clock Frequency</b>	NTSC:28.636MHz; PAL:28.375MHz
<b>Scanning System</b>	2:1 Interlace
<b>S/N Ratio</b>	≥50dB
<b>Lens</b>	9-22mm Varifocal Auto iris IR Lens
<b>White Balance</b>	AUTO Tracking
<b>Back Light</b>	ON
<b>Auto Gain Control</b>	ON
<b>GAMMA</b>	0.45
<b>Video Out-put</b>	1V p-p,75Ω
<b>Power Supply</b>	DC12V ±10%
<b>Current Consumption</b>	200mA(Max)
<b>IR Effect Distance</b>	2~15m (6.56~49.18ft) (Outdoor)
<b>Dimension</b>	305×124×198mm (12.01"×4.88"×7.79")
<b>Weight</b>	1750g (61.72oz)
<b>Storage Temperature</b>	-30~+60℃ (-22~+140°F)
<b>Operating Temperature</b>	-30~+40℃ (-22~+104°F)

**Remark: Non-regulative adaptor may cause camera damaged.**

# AW-CAR180VF



## ● Specification

IP Rating	IP66
Filter	Five Layers Filter
Image Sensor	1/3"960H CCD
Pixels	NTSC:811H×508V;PAL:795H×596V
Horizontal Resolution	700TVL
LED	4 Pieces High Power IR LED
Vertical Frequency	NTSC:60Hz PAL:50Hz
Horizontal Frequency	NTSC:15.734KHz;PAL:15.625KHz
Clock Frequency	NTSC:28.636MHz;PAL:28.375MHz
Scanning System	2:1 Interlace
S/N Ratio	≥50dB
Electronic Shutter	Fixed
Lens	10-40mm Varifocal Auto Iris IR Lens
Viewing Angle	Horizontal: 27°~8°
White Balance	ATW
Back Light	ON
AUTO Gain Control	ON
Gamma	0.45
Video Output	1Vp-p ,75Ω
Power Supply	DC12V±10%
Current Consumption	1500mA (MAX)
IR Effect Distance	5-30M (16.39-98.36ft)
Dimension	492×140×260mm (19.37"×5.51"×10.24")
Weight	2520g
Storage Temperature	-30~+60°C
Operating Temperature	-30~+40°C
Package	4Pcs/CTN 15.6KGs

## Caution for Installation

1. Please do not install the camera where the vibration always happens, or the camera will be damaged.
2. Please keep the glass in front of the camera clean. Do not touch it directly. You can use a soft cloth with alcohol to wipe if necessary.
3. The available IR range of this camera is shown in the specification. Please be sure to place the camera in the working distance when it works.
4. In order to prevent short circuit, please do not loosen any screws in the camera at random.
5. Please do not let the camera work in the conditions which is beyond the most extreme and demanding of operating conditions and climates shown in the specification. When any abnormalities happen, please turn off the camera and contact your local dealer or us right away.

**Pay attention to the setting angle. The picture in the right is for your reference.**

