

TS2000 Plus Series

Drop arm tripod turnstile.
Improve the turnstile reliability and efficiency.



Code: ECTS-A122-SH

Introduction

ZKTeco's TS2000 Plus series is a bridge type tripod turnstile. This tripod turnstile's cabinet using SUS304 stainless steel, ensuring long durability. TS2000 Plus offer an aesthetically verification area for user, with a streamlined under mount RFID card and QR code reader. The turnstile not only have efficiently people flowing control and also providing safety function such as automatically drop arm if power off or emergency signal input. The tripod arm can set bi-directional movement as a standard function. Also, users can set the tripod arm in a different working mode by direction All in all, this tripod turnstile is very easy to be setting up for most kind of indoor or outdoor situations, such as schools, museums, factories, gyms, etc.



Access Control System

There are multi different access solution owned by ZKTeco, including RFID and biometric technology or QR code verification. Also allow customer to install third-party systems.



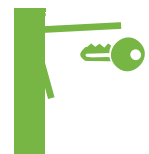
Drop-arm

Safety function always standby, turnstile drop arm automatically. It making sure people exit easily during power off, emergency case like fire case happening.



Bi-directional

The turnstile enable to be setting as different pass mode, like one way free, one way standard. Also the device memory mode allow group user pass-through.



Security Key Unlock

With security key easily to access turnstile inside. It will let installer or administrator will feel convenience operation&maintenance device.

Key Features

Durable

SUS304 stainless steel housing and tempered glass coverage making sure the device have good ability for anti-rust and wear-resistant.



A built-in LED indicator Lights

A built-in LED indicator is present in the identity authentication area. The green indicator represents that you can pass through, while the red indicator shows that you cannot pass in the opposite direction.

Waterproof

Passed the self-laboratory test which is equivalent to IPX4 protection rating.



Arm loading

The stainless steel arm with 38mm diameter of rod. It provides maximum 40Kg weight loading of vertical direction at end of arm.



Protection disk

The purpose of a protective disc is to safeguard the device against dust, corrosive water vapor, or splashing water, thereby enhancing the durability of the device and reducing maintenance frequency.

Easy to set up

Simply design and easy access construction of device, drawing very low power.

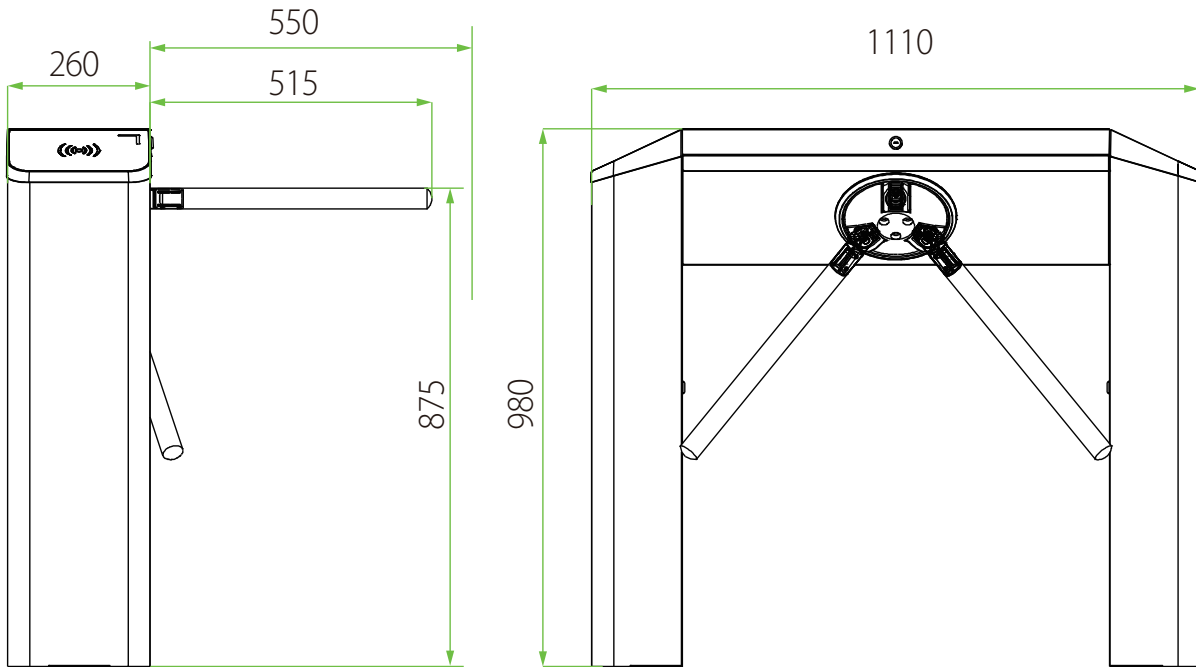


Specifications

Model	TS2000 Plus Series
Visual Indicator	Steady green = normal use Steady red = door closed
Audio Indicator	Internal buzzer
Lane Type	Single lane
Lane Width	550mm
Barrier Movement Type	Rotating
Lid Material	PC Plastics+Tempered Glass Cover+SUS304 Stainless Steel
Lid Options Authentication Methods	Streamlined under mount options: Fingerprint/RFID
Chassis Material	SUS304 stainless steel (T=1.2mm)
Chassis Color	Silver-gray
ripod Barrier Material	SUS304 stainless steel
Motherboard Function	Door open duration, access mode
Motherboard Communication	Fire alarm port(relay)*1, RS485 port *1
Controller	C3-200 Pro Plus & InBio260 Pro Plus (Recommended) Other controller depends on dimensions fitting in (Optional)
Credential Options	Under mount RFID reader: ProID Series, KR Series (Supported model). Under mount fingerprint reader: FR1200/ FR1500S
Flow Rate	RFID: 25 passengers per minute Fingerprint: 20 passengers per minute
Footprint	260*1110 (mm)
Barrier Width	515mm
Accessibility	Wireless remote control, wired remote control, QR reader
Power Supply	110V / 220V AC@50 to 60 Hz, DC 12V
Power Rating	10V A (Standby) 40V A (Operation)
Fire Signal	Input for voltage free contact
Noise Level	Less than 65dB
MTTR	Less than 60 minutes
MCBF	2 million
Weight	Gross weight (35kg) Net weight (30kg)
Dimension	775*1100*980mm (L*W*H)
Operating Temperature	-20°C to 70°C
Operating Humidity	0% to 85% RH (Non-condensing)
Certifications	CE, FCC, UKCA, ISO 9001
Ingress Protection Rating	IPX4
Supported Software	ZKBio CVAccess / ZKBio CVSecurity (depends on equipped access controller)

Safety Features	Voltage free contact input for fire alarm fail state automatic drop arm during power off
Security Features	Anti-tailgating
Product Delivery	Pre-assembled
Application Environment	Indoor/outdoor (if sheltered)
Site Preparation	Flat&level finished floor (base plate in options for unfinished floor)
Dimensions With Packing	360*1210*1080mm (L*W*H)
Security Level	Medium
Emergency Mode	Support (drop arm)
Packing Material	Cartoon (standard), wooden (optional)

Dimensions (mm)



Application Scenarios



School



Museum



Factory



Gym

