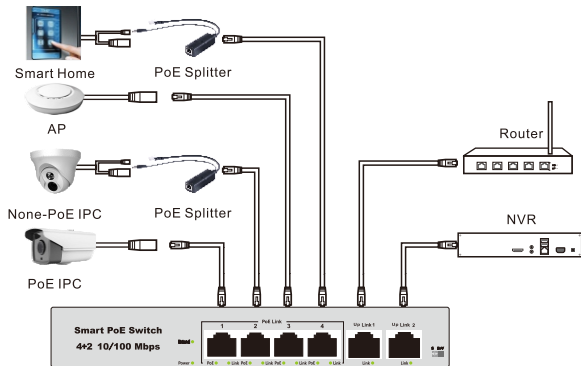


PoE Switch Connection Schematic Diagram

Take the standard 4+2 port PoE Switch as an example



Product Features

1. Support power to device which support PoE
2. Support IEEE802.3AF/AT Protocol
3. Each port Output Max.30W
4. Support 250m Transmission Distance
5. Support Vlan

Warning signs

- Only can be used safely in non-tropical climates
- Only can be used safely in areas with an altitude of 2000m and below

AI PoE Switch

User Manual

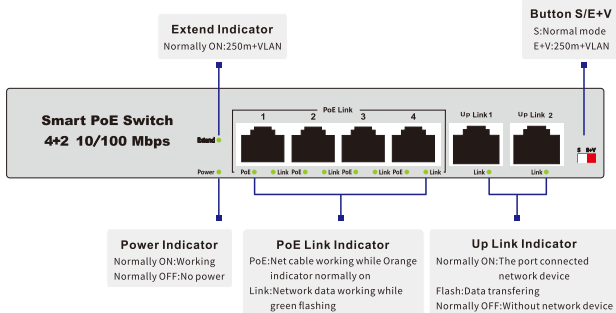
Warn

In the living environment, run the equipment may cause radio interference.

PoE Front Panel Instruction

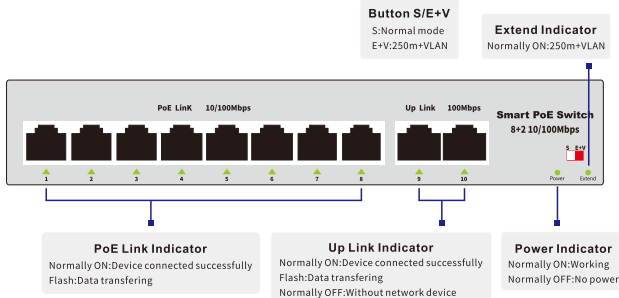
1 4 Port 100/1000 Series

The panel of the 4-channel 100/1000 series PoE switch explains that all other models are basically the same, taking the 4-port PoE switching machine as an example.



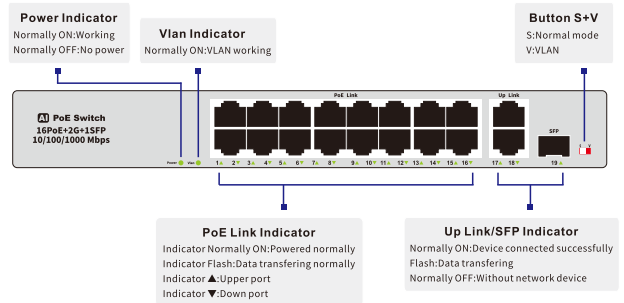
2 8 Port 100/1000 Series

The panel of the 8-channel 100/1000 series PoE switch explains that all other models are basically the same, taking the 8-port PoE switching machine as an example.



3 16 Port 100/1000 Series

The panel of the 16-channel 100/1000 series PoE switch explains that all other models are basically the same, taking the 16-port PoE switching machine as an example.



4 24 Port 100/1000 Series

The panel of the 24-channel 100/1000 series PoE switch explains that all other models are basically the same, taking the 24-port PoE switching machine as an example.

